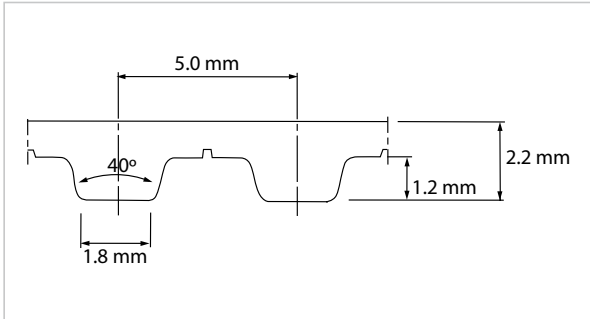


Timing Belt Tooth Patterns

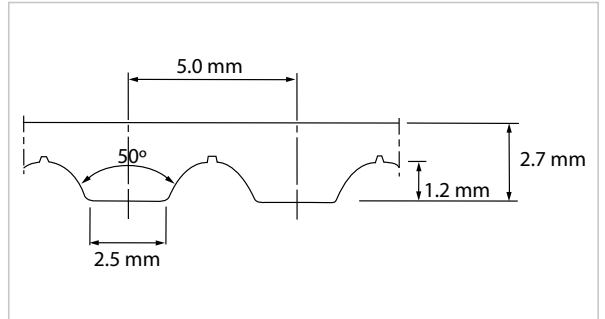
Sketches of Basic Pitch Shape

T5



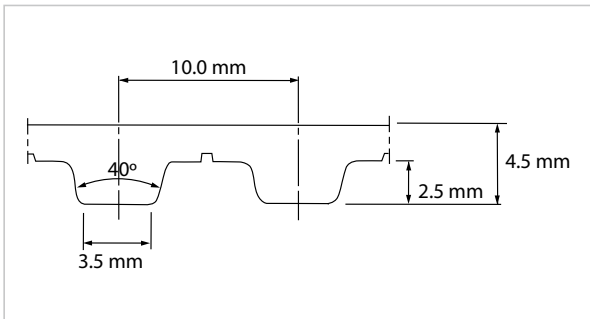
Sketch of basic shape according to DIN 7721

AT5



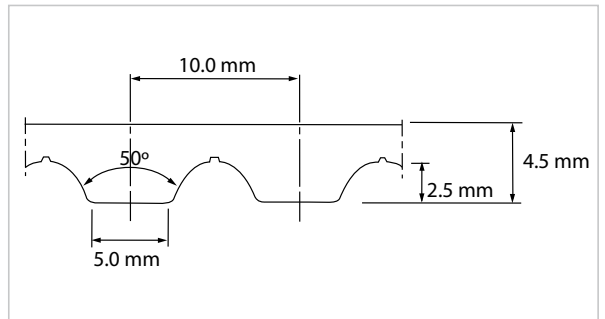
Sketch of basic shape

T10



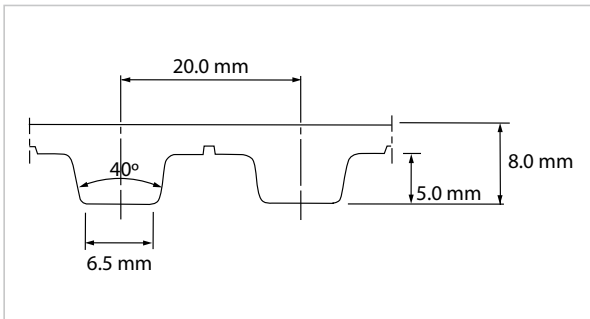
Sketch of basic shape according to DIN 7721

AT10



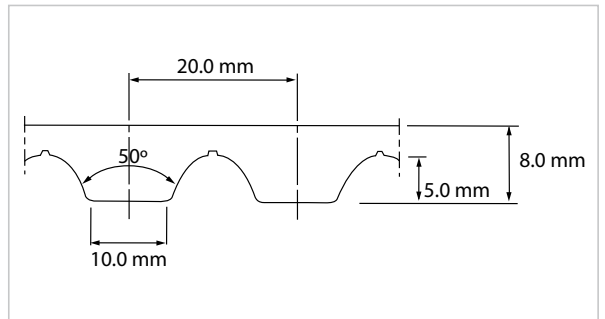
Sketch of basic shape

T20



Sketch of basic shape according to DIN 7721

AT20

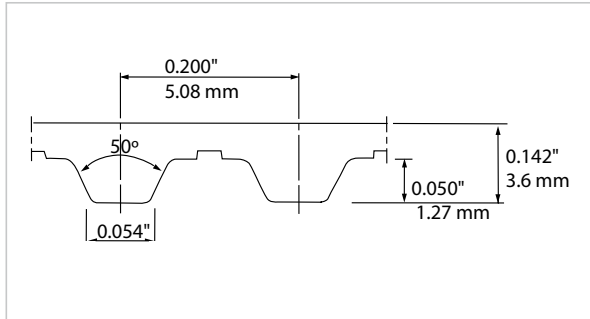


Sketch of basic shape

Timing Belt Tooth Patterns

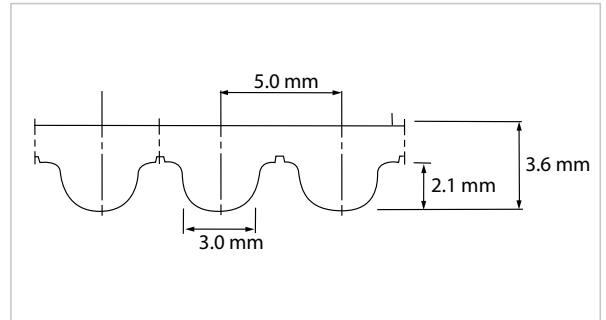
Sketches of Basic Pitch Shape

XL



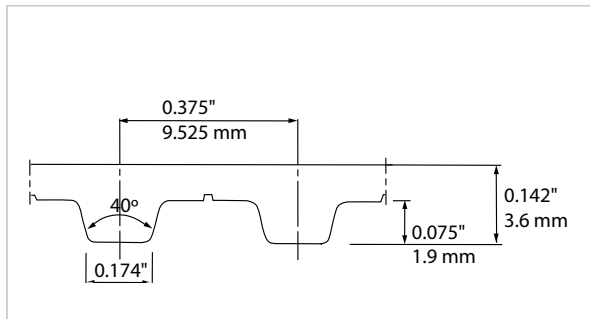
Sketch of basic shape according to ISO 5296

5M (HTD)



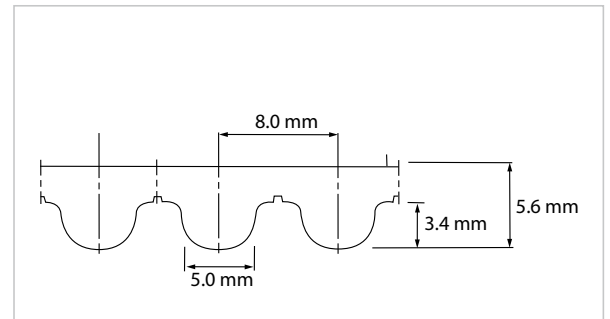
Sketch of basic shape

L



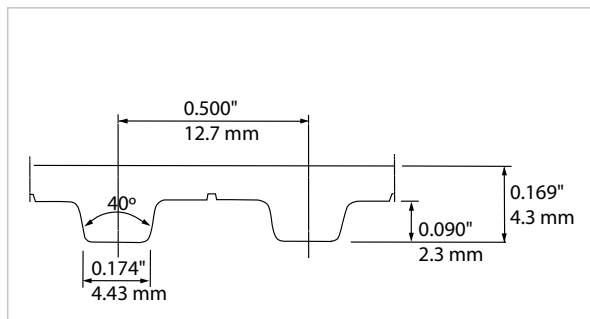
Sketch of basic shape according to ISO 5296

8M (HTD)



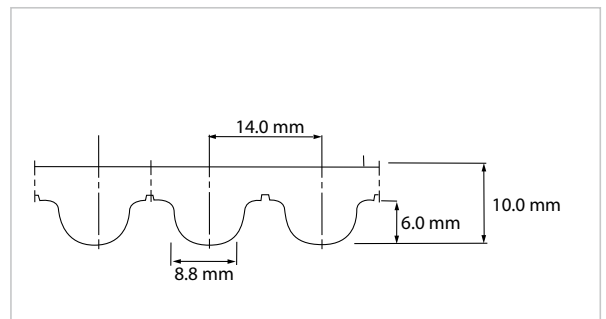
Sketch of basic shape according to ISO 13050

H



Sketch of basic shape according to ISO 5296

14M (HTD)



Sketch of basic shape according to ISO 13050